



Grippers | Sprue grippers

Series 110 – sprue gripper – single-acting

Series 110 – sprue gripper – single-acting



Product notes

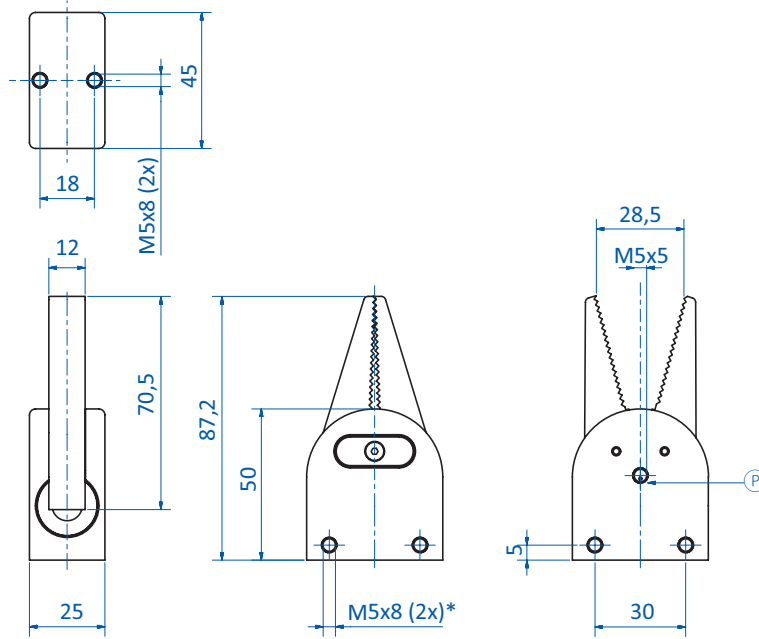
- > Space-saving mounting options
- > GR04.110:
 - Gap-free closing for reliably gripping small or flat sprues
 - Large jaw opening also allow for larger sprue diameter to be handled
- > GR04.111:
 - For handling sprues with a minimum thickness of 2 mm
 - Indirect sensing triggering the sensor, when no part is gripped

Technical data

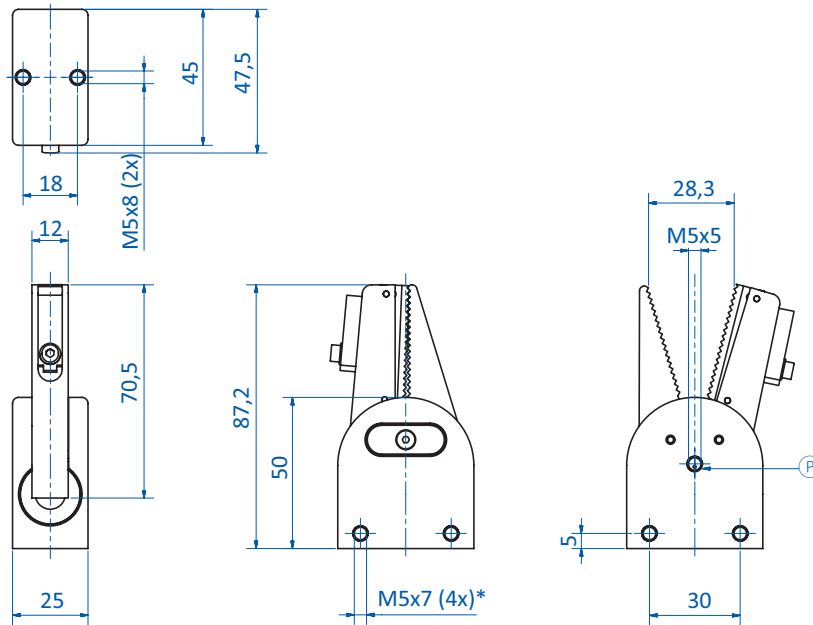
Item no.	Jaw	Max. operating pressure [bar (psi)]	Sensor	Electric connection	Cable length [mm]	Closing force at 6 bar (87 psi) [N]	Weight [g]	Suitable fittings
GR04.110B	Standard	8 (116)	without	3-pin male M8 connector	--	95	130	--
GR04.110A	Standard	8 (116)	PNP, direct monitoring, one freely adjustable switching point	3-pin male M8 connector	200	95	130	--
GR04.110A/NPN	Standard	8 (116)	NPN, direct monitoring, one freely adjustable switching point	3-pin male M8 connector	200	95	130	--
GR04.111A	Xwide	8 (116)	PNP, indirect monitoring, one freely adjustable switching point	3-pin male M8 connector	650	95	135	GR04.196A
GR04.111A/NPN	Xwide	8 (116)	NPN, indirect monitoring, one freely adjustable switching point	3-pin male M8 connector	340	95	135	GR04.196A



Dimensions



GR04.110B



GR04.110A | GR04.110A/NPN

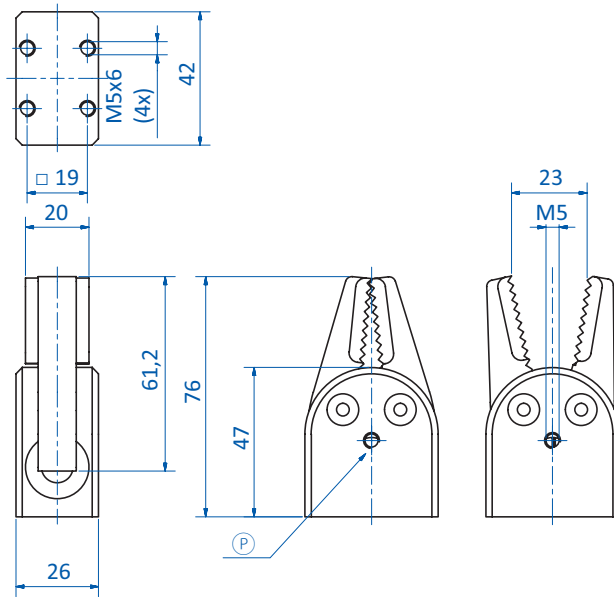
Ⓟ = Compressed air connection * = Fixing hole



Grippers | Sprue grippers

Series 110 – sprue gripper – single-acting

Dimensions



GR04.111A | GR04.111A/NPN

Ⓟ = Compressed air connection * = Fixing hole