



Vacuum generation | Standard ejectors

FMC – Multi-stage vacuum ejectors, vacuum flow 360 - 1650 NI/min

FMC – Multi-stage vacuum ejectors, vacuum flow 360 - 1650 NI/min



Product notes

- > Operated by switching the compressed air supply on/off
- > Includes silencer, push-in fitting, vacuum gauge, mounting brackets and screws

Technical data

| Item no. | Non-return valve | Optimal operating pressure [bar (psi)] | Suction power at 6 bar (87 psi) [NI/min] | Air consumption at 6 bar (87 psi) [NI/min] | Max. Final vacuum [%] | Weight [g] |
|-------------------------|------------------|--|--|--|-----------------------|------------|
| FMC-25-L-C1-N-V | included | 5 - 6 (72.5 - 87) | 360 | 105 | 80 | 650 |
| FMC-25-L-C1-N | not included | 5 - 6 (72.5 - 87) | 360 | 105 | 80 | 650 |
| FMC-50-L-C1-N-V | included | 5 - 6 (72.5 - 87) | 635 | 215 | 80 | 650 |
| FMC-50-L-C1-N | not included | 5 - 6 (72.5 - 87) | 635 | 215 | 80 | 650 |
| FMC-75-L-C2-N-V | included | 5 - 6 (72.5 - 87) | 850 | 320 | 80 | 850 |
| FMC-75-L-C2-N | not included | 5 - 6 (72.5 - 87) | 850 | 320 | 80 | 850 |
| FMC-100-L-C2-N-V | included | 5 - 6 (72.5 - 87) | 970 | 390 | 80 | 850 |
| FMC-100-L-C2-N | not included | 5 - 6 (72.5 - 87) | 970 | 390 | 80 | 850 |
| FMC-125-L-C3-N-V | included | 5 - 6 (72.5 - 87) | 1,180 | 480 | 80 | 1,050 |
| FMC-125-L-C3-N | not included | 5 - 6 (72.5 - 87) | 1,180 | 480 | 80 | 1,050 |
| FMC-150-L-C3-N-V | included | 5 - 6 (72.5 - 87) | 1,260 | 620 | 80 | 1,050 |
| FMC-150-L-C3-N | not included | 5 - 6 (72.5 - 87) | 1,260 | 620 | 80 | 1,050 |
| FMC-25-H-C1-N-V | included | 5 - 6 (72.5 - 87) | 360 | 185 | 92 | 650 |
| FMC-50-H-C1-N-V | included | 5 - 6 (72.5 - 87) | 700 | 370 | 92 | 650 |
| FMC-75-H-C2-N-V | included | 5 - 6 (72.5 - 87) | 980 | 610 | 92 | 850 |
| FMC-100-H-C2-N-V | included | 5 - 6 (72.5 - 87) | 1,380 | 720 | 92 | 850 |
| FMC-125-H-C3-N-V | included | 5 - 6 (72.5 - 87) | 1,480 | 780 | 92 | 1,050 |
| FMC-150-H-C3-N-V | included | 5 - 6 (72.5 - 87) | 1,650 | 830 | 92 | 1,050 |

Recommended hose inner diameter

| Art.-Nr. | Vacuum [mm] | Compressed air [mm] |
|----------|-------------|---------------------|
| FMC-25 | 12 | 8 |
| FMC-50 | 15 | 8 |
| FMC-75 | 19 | 8 |
| FMC-100 | 19 | 8 |
| FMC-125 | 25 | 10 |
| FMC-150 | 25 | 10 |



Suitable vacuum switches

- > GS02.001: Vacuum switch electronic with two digital outputs and display
- > GS02.003: Vacuum switch electronic with analog and digital output
- > 20.026: Vacuum / Pressure switches, electronic with digital output

Model selection

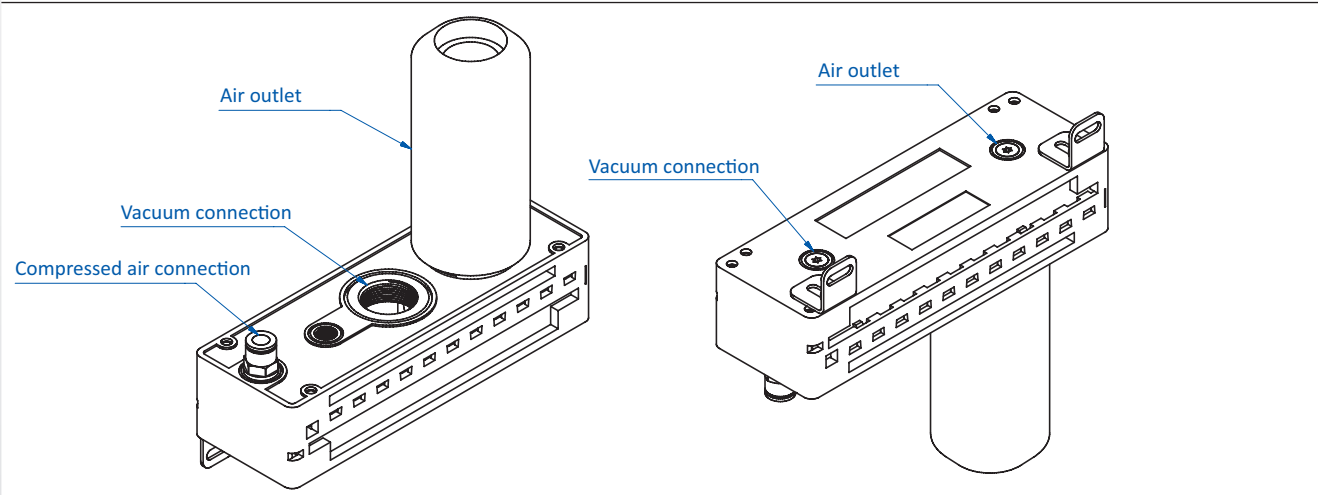
| Series | Size * | Max. Vacuum level | Modules (depending on size) | Non-return valves |
|--------|--------|--------------------|--------------------------------|-------------------------|
| FMC- | 25 | -L Vakuumgrad 80 % | -C1-N | -V (with) |
| | 50 | -H Vakuumgrad 92 % | -C2-N | <i>blank</i> (with out) |
| | 75 | | -C3-N | |
| | 100 | | | |
| | 125 | | | |
| | 150 | | | |

* Suction power see technical data

Ordering example:

- FMC-25-H-C1-N-V = Suction power 360 NI/min, max. Vacuum level 92 %, with non-return valves
- FMC-75-L-C2-N = Suction power 850 NI/min, max. Vacuum level 80 %, without non-return valves

Description

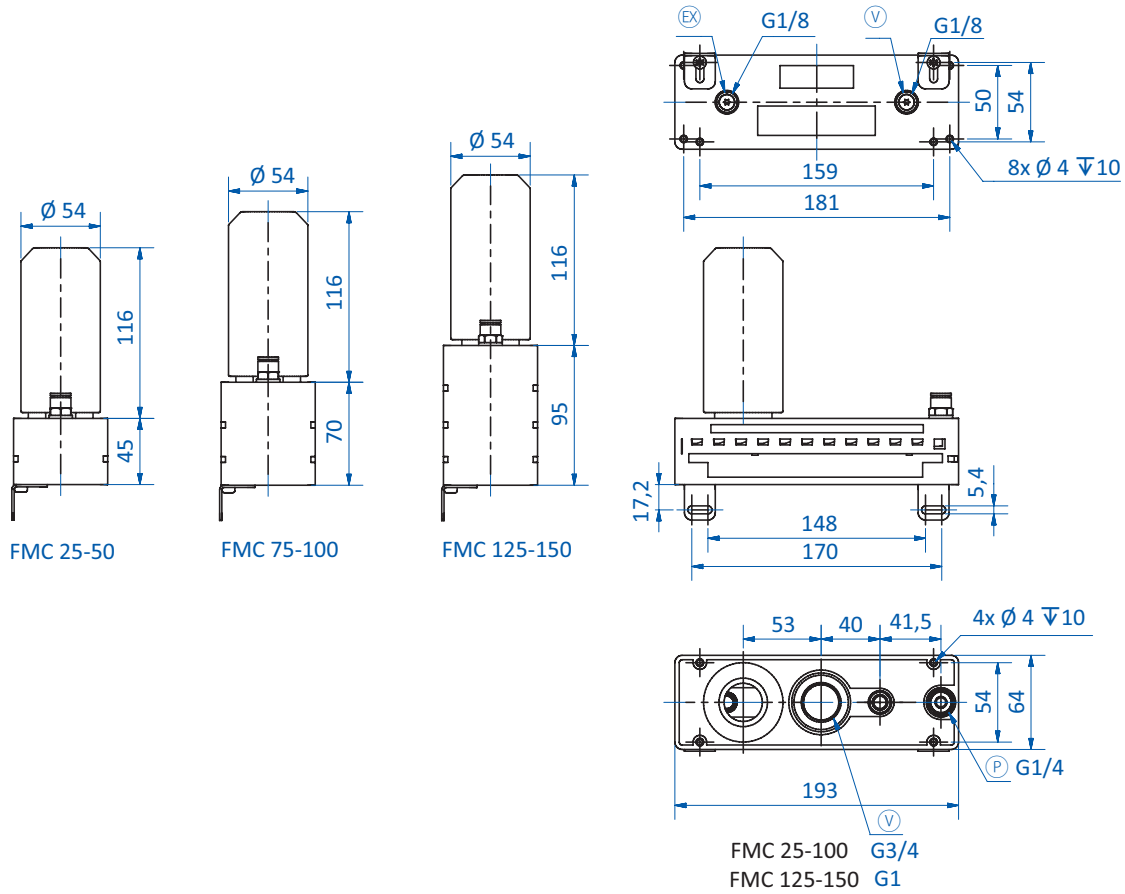




Vacuum generation | Standard ejectors

FMC – Multi-stage vacuum ejectors, vacuum flow 360 - 1650 NI/min

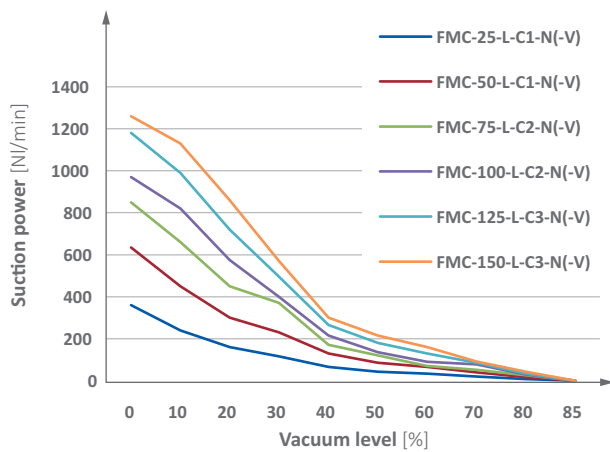
Dimensions



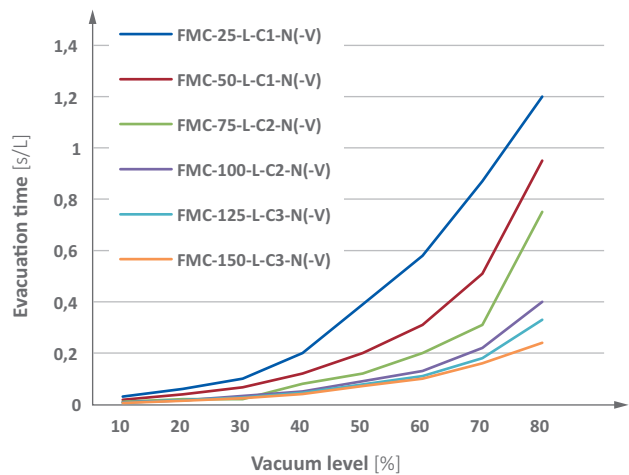
Ⓟ = Compressed air connection Ⓜ = Vacuum connection Ⓧ = Air outlet

Diagrams

> Suction power against vacuum level [NI/min] at 6 bar (87 psi)



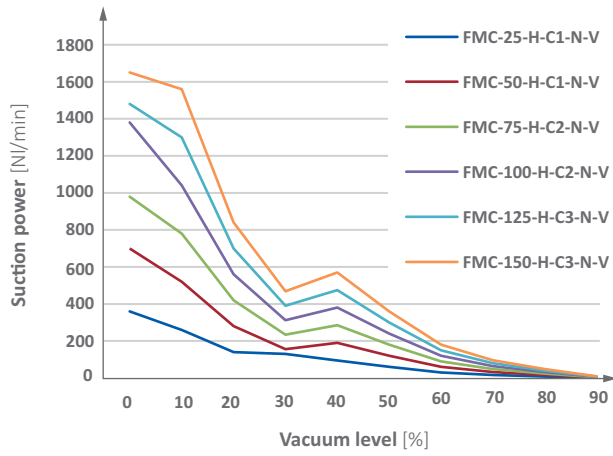
> Evacuation time against vacuum level [s/L] at 6 bar (87 psi)





Diagrams

> Suction power against vacuum level [NI/min] at 6 bar (87 psi)



> Evacuation time against vacuum level [s/L] at 6 bar (87 psi)

