



# Special grippers | Standard

## Bernoulli vacuum cups SX-B-PK

### Bernoulli vacuum cups SX-B-PK



Body and blind screws made of polyetheretherketone (PEEK), nozzle made of stainless steel

#### Product notes

- > Integrated vacuum generation on the Bernoulli principle
- > No ejector, requires compressed air only
- > Non-contact, deformation-resistant transport of thin and sensitive products
- > Compliant to FDA 21 CFR 177.2600 / FDA 21 CFR 177.2415
- > Suitable for porous products thanks to high volume flow at low vacuum level
- > Easy to install, system flexibly expandable through lateral compressed air inlets
- > Long life cycle due to maintenance-free operation
- > Only operated with oil-free, dry compressed air

#### Technical data

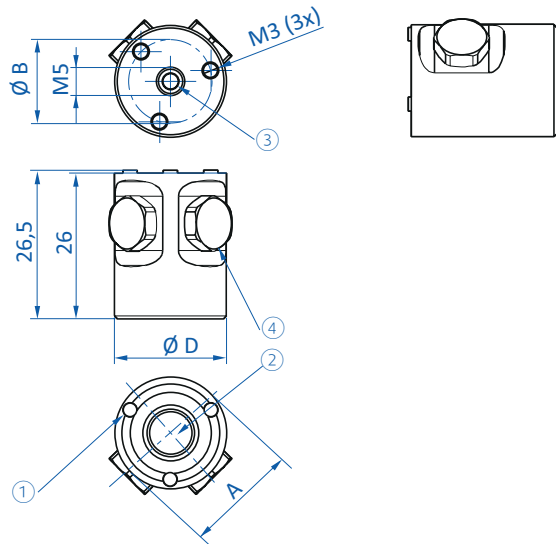
Item no.	Model	Operating pressure [bar (psi)]	Holding force at 5 bar (72.5 psi) [N]	Air consumption at 5 bar (72.5 psi) [l/min]	Max. particle size [ $\mu$ m]	Medium	Ambient air temperature [ $^{\circ}$ C ( $^{\circ}$ F)]	Weight [g]	Suitable spare pads
65.510-PK	SX-B-PK-20	1 - 7 (14.5 - 101.5)	2.5	150	40	Compressed air	5 - 60 (41 - 140)	10	78.523
65.520-PK	SX-B-PK-30	1 - 7 (14.5 - 101.5)	3	150	40	Compressed air	5 - 60 (41 - 140)	20	78.524
65.530-PK	SX-B-PK-40	1 - 7 (14.5 - 101.5)	5.5	150	40	Compressed air	5 - 60 (41 - 140)	30	78.524
65.540-PK	SX-B-PK-60	1 - 7 (14.5 - 101.5)	12	220	40	Compressed air	5 - 60 (41 - 140)	70	78.524

#### Technical specifications

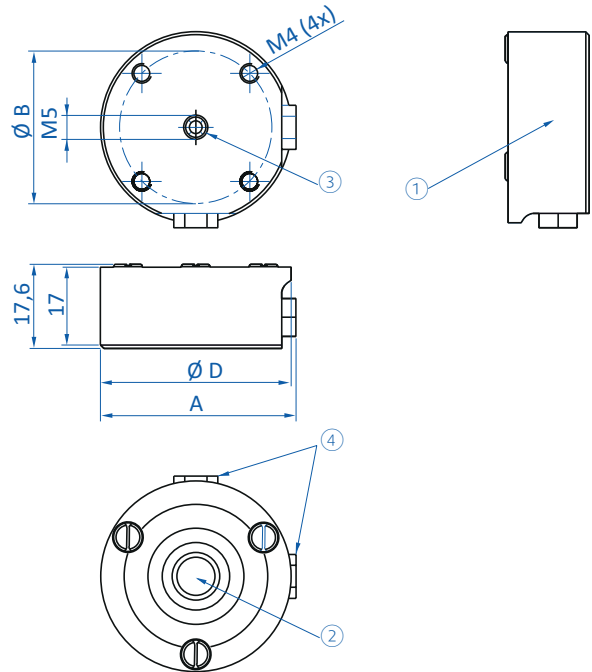
- > Highly resistant against diverse chemicals used in the food industry
- > Suitable for all conventional CIP (cleaning-in-place) and SIP (sterilization-in-place) processes
- > Hygienic product design enables quick and easy cleaning
- > Materials:
  - Housing: polyetheretherketone
  - Pad: silicone
  - Nozzle: stainless steel
  - Seals: fluorocarbon
  - Blanking screw: polyetheretherketone



### Dimensions



65.510-PK



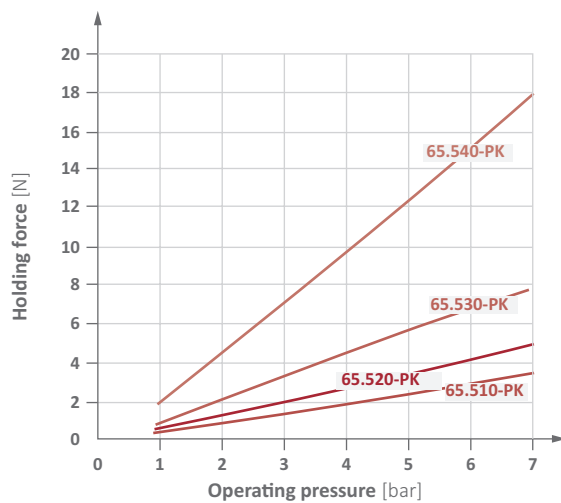
65.520-PK | 65.530-PK | 65.540-PK

① = Silicone rubber pads ② = Nozzle ③ = Compressed air connection ④ = Alternative compressed air connection

Item no.	A [mm]	Ø B [mm]	Ø D [mm]
65.510-PK	21	15	20
65.520-PK	31	22	30
65.530-PK	41	32	40
65.540-PK	61	45	60

### Diagrams

> Holding force as a function of operating pressure



> Air consumption as a function of operating pressure

