



Multi-chamber ejectors, vacuum flow 140 - 320 NI/min



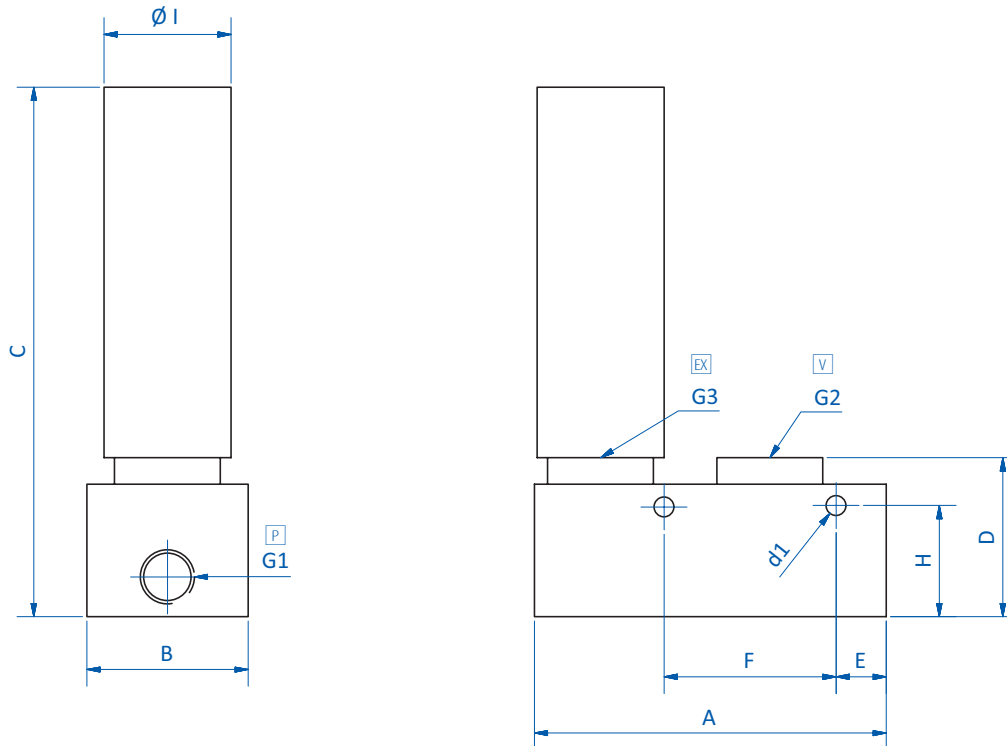
Product notes

- > Handling of air-permeable products, or for high leakages
- > High suction power for short evacuation times and fast vacuum build-up
- > Particularly fast product release due to additional compressed air inlet for blow-off (65.410)
- > Noise-optimized operation due to open silencer

Technical data

Item no.	Optimal operating pressure [bar (psi)]	Max. operating pressure [bar (psi)]	Final vacuum [%]	Suction power [NI/min]	Air consumption at 6 bar (87 psi) [NI/min]	Evacuation time 0 to 70 % [s/l]	Weight [g]
65.310	6 (87)	7 (101.5)	85	140	54	1.95	90
65.320	6 (87)	7 (101.5)	85	280	108	1.07	90
65.330	6 (87)	7 (101.5)	85	320	144	0.5	170
65.410	6 (87)	7 (101.5)	85	300	95	1.15	620

Dimensions



65.310 | 65.320

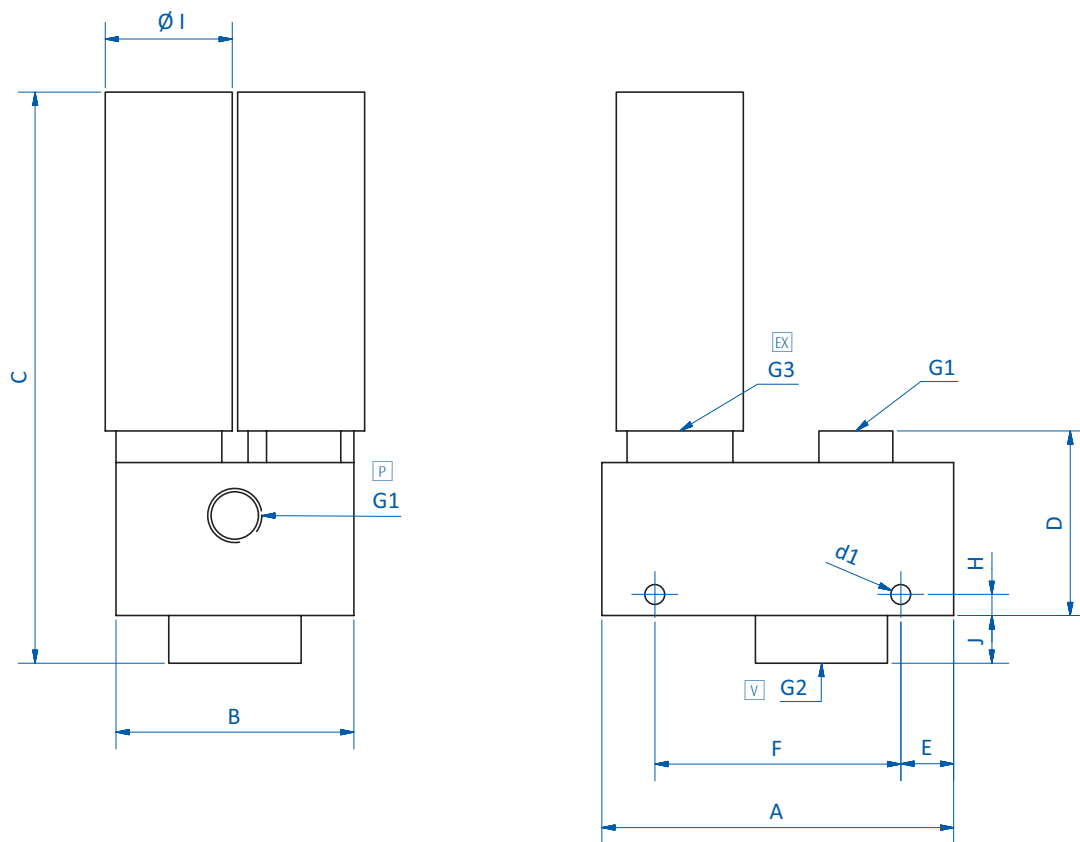
P = Compressed air connection V = Vacuum connection EX = Exhaust G = Compressed air connection for blow-off



Vacuum generation | Standard ejectors

Multi-chamber ejectors, vacuum flow 140 - 320 NI/min

Dimensions

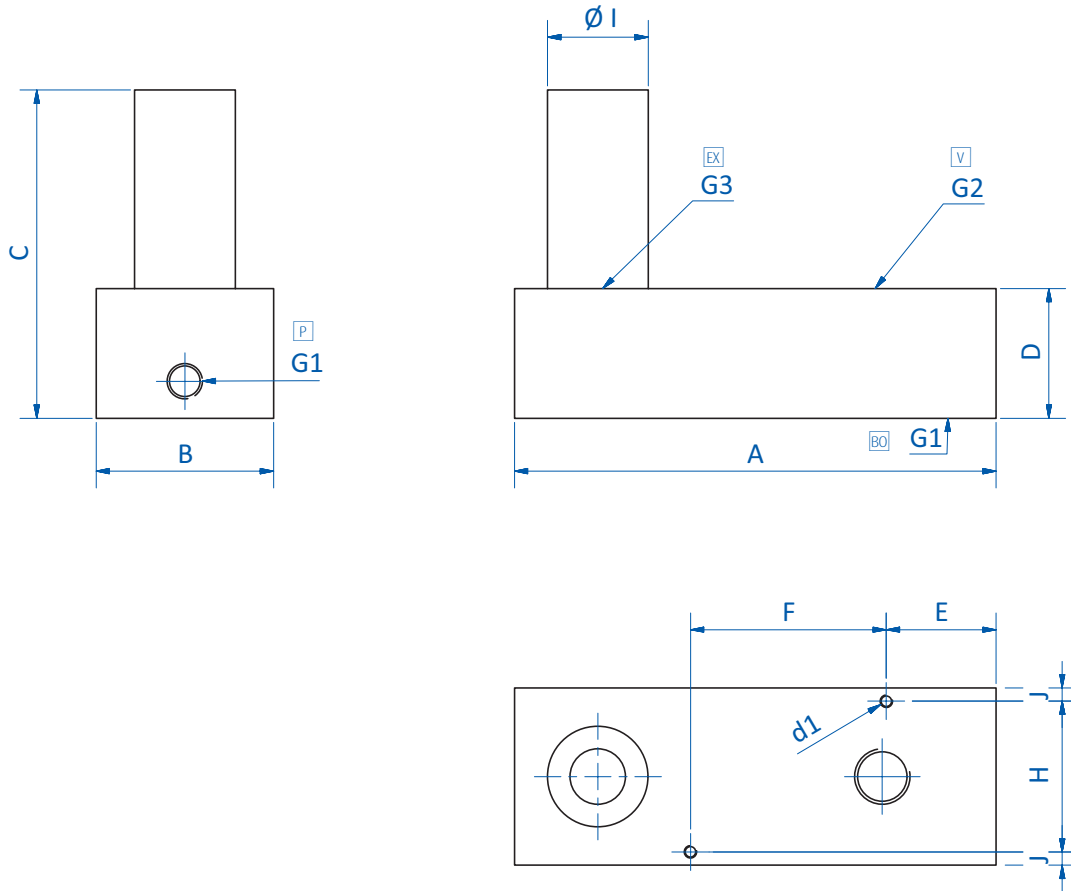


65.330

$\square P$ = Compressed air connection $\square V$ = Vacuum connection $\square EX$ = Exhaust $\square BO$ = Compressed air connection for blow-off



Dimensions



65.410

P = Compressed air connection **V** = Vacuum connection **EX** = Exhaust **BO** = Compressed air connection for blow-off

Item no.	G1	G2	G3	A [mm]	B [mm]	C [mm]	D [mm]	d1	E [mm]	F [mm]	H [mm]	Ø I [mm]	J [mm]
65.310	G1/8	G3/8	G3/8	66.5	30.5	100	30	3.7	9.5	32.5	21	24	--
65.320	G1/8	G3/8	G3/8	66.5	30.5	100	30	3.7	9.5	32.5	21	24	--
65.330	G1/8	G1/2	G3/8	66.5	45	107.9	35	3.7	10	46.5	4	24	9
65.410	G1/4	G1/2	G3/4	182	67	124	49	M4	41.5	74	57	38	5

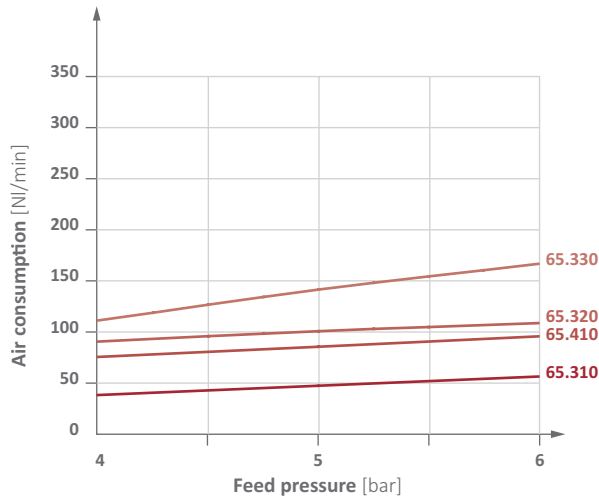


Vacuum generation | Standard ejectors

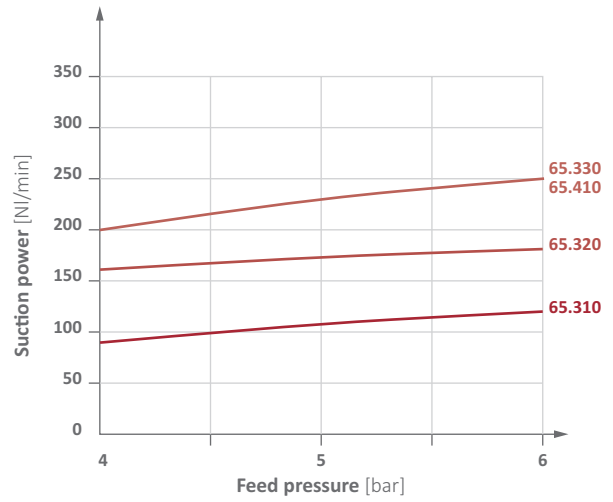
Multi-chamber ejectors, vacuum flow 140 - 320 NI/min

Diagrams

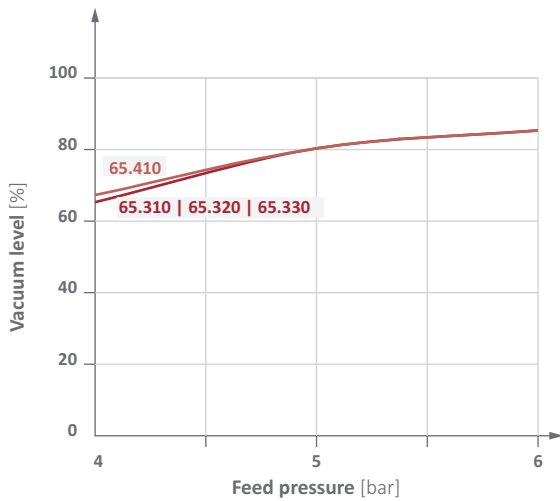
> Air consumption against feed pressure



> Suction power against feed pressure



> Vacuum level against feed pressure



Suction power [NI/min] at vacuum level

Item no.	10 %	20 %	30 %	40 %	50 %	60 %	70 %	80 %
65.310	89	62	38	22	18	10	5	--
65.320	130	81	52	30	22	14	8	--
65.330	178	116	91	63	44	15	6	--
65.410	175	118	58	42	33	23	16	10