



Product notes

- > Tube lifter FIPALIFTpro in set with rotary rotary vane vacuum pumps or side channel blower
- > Innovative tube lifter for one-hand operation for handling e.g. packages, boxes, bags, canisters and much more that is dimensionally stable and mostly suction-tight
- > Quick-change adapter included as standard
- > Swivel and tilt joint included as standard
- > Release valve included as standard
- > Standard lifting hose length 2.30 m

Technical data

Item no.	Ø Lifting tube [mm]	Vacuum generation	Max. Lifting force [kg]	Stroke [mm]	Suitable motor protection switch
SH.SET.PRO.100.DT40	100	DT.40B-3	31.5	1,790	SH.ACC.ALL.0210 SH.ACC.ALL.0211
SH.SET.PRO.100.DT60	100	DT.60C-3	35	1,790	SH.ACC.ALL.0211 SH.ACC.ALL.0212
SH.SET.PRO.120.DT40	120	DT.40B-3	45	1,760	SH.ACC.ALL.0210 SH.ACC.ALL.0211
SH.SET.PRO.120.DT60	120	DT.60C-3	55	1,760	SH.ACC.ALL.0211 SH.ACC.ALL.0212
SH.SET.PRO.120.S181	120	SKV.D.181-4.0-C-3	55	1,760	SH.ACC.ALL.0212 SH.ACC.ALL.0213
SH.SET.PRO.160.S181	160	SKV.D.181-4.0-C-3	75	1,760	SH.ACC.ALL.0212 SH.ACC.ALL.0213

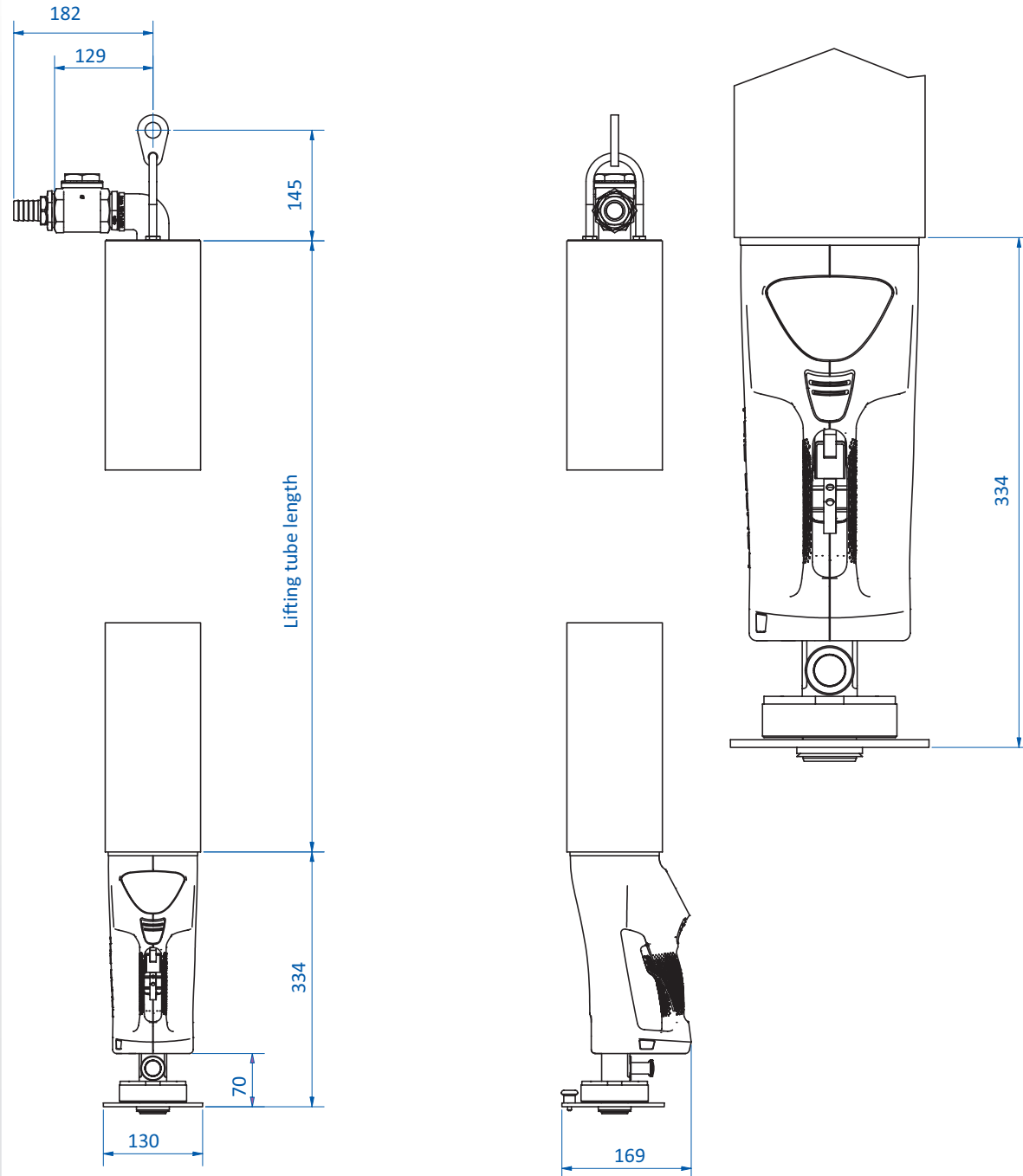
Application examples



FIPALIFTpro

FIPALIFTpro – Tube lifter set with vacuum generator

Dimensions



Ordering notes

- > Delivery takes place without suction and gripping means and the feed hose, please order separately
- > The rotary vane pump and the side channel blower are delivered without electrical connection

Scope of delivery

Set with rotary vane pump



Set with Side channel blower



- > 1x FIPALIFTpro
- > 1x Vacuum generator
- > 1x Filter
- > 1x Mounting and clamping material

FIPALIFTpro

Varioflex bellows vacuum cup with quick-change coupling for FIPALIFTpro

Varioflex bellows vacuum cup with quick-change coupling for FIPALIFTpro

THE ALLROUNDER



Product notes

- > The proven Varioflex® bellows vacuum cup made of wear-resistant polyurethane composite material for use on the FIPALIFTpro tube lifter.
- > Ideal for handling small and medium-sized goods such as cartons and crates
- > Soft, flexible sealing lip in 30° Shore A to compensate unevenness well
- > Stable body in 60° Shore A for excellent recovery
- > Support ribs ensure an optimal suction surface at all times
- > Integrated quick-change adapter for the FIPALIFTpro

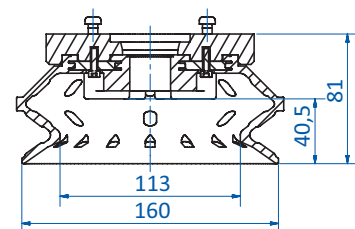
Ordering notes

- > Sufficient safety factor is critical

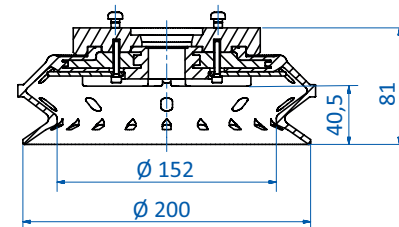
Technical data

Item no.	Diameter [mm]	Material	Suitable for Lifting tube diameter [mm]	Weight [kg]
SH.ACC.PRO.0010	160	PU Varioflex® 60°/30° (sw/r)	100	1.05
SH.ACC.PRO.0011	200	PU Varioflex® 60°/30° (sw/r)	100; 120	1.45

Dimensions



SH.ACC.PRO.0010 | SH.ACC.PRO.0011



SH.ACC.PRO.0011

Safety factor by lifting tube Ø

Item no.	Ø 100 mm	Ø 120 mm	Ø 160 mm
SH.ACC.PRO.0010	2	--	--
SH.ACC.PRO.0011	2.4	2	--

FIPALIFTpro

Multifunctional gripper FORMHAND for FIPALIFTpro

Multifunctional gripper FORMHAND for FIPALIFTpro



Product notes

The rectangular gripping pad called FORMHAND is equipped with a quick-change adapter for the FIPALIFTpro. Its unique technology enables gripping and suctioning of complex geometries and surfaces.

The FORMHAND is always used when there is no sufficiently large surface for classic vacuum cups.

- > Granulate filled gripping cushion freely deformable
- > Gripping cushion nestles to the surface
- > Gripping force acts on the entire surface covered
- > Bending objects are held flatly

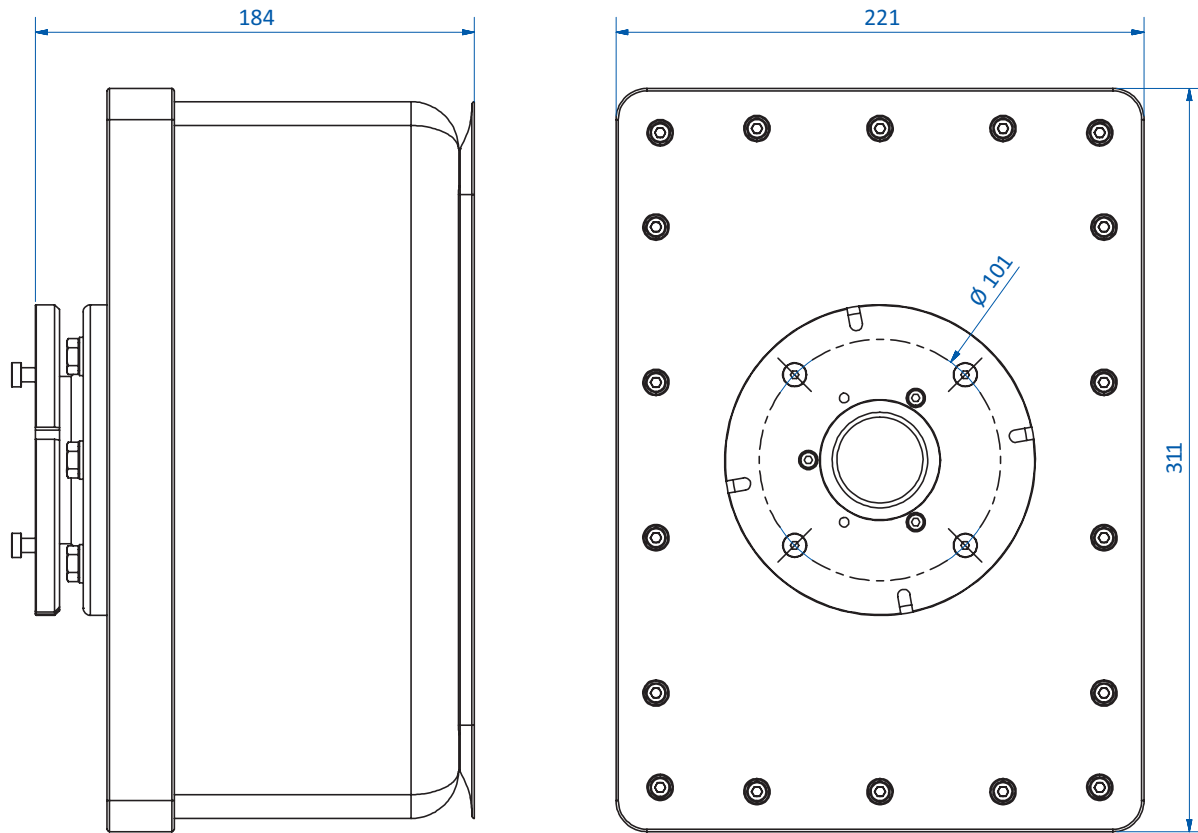
Technical data

Item no.	Suitable for	Length [mm]	Width [mm]	Height [mm]	Material	Max. work load [kg]	Weight [g]
SH.ACC.PRO.FH-E3020	FIPALIFTpro to Ø 160 mm	311	221	184	PU	50	2.9

Application examples



Dimensions



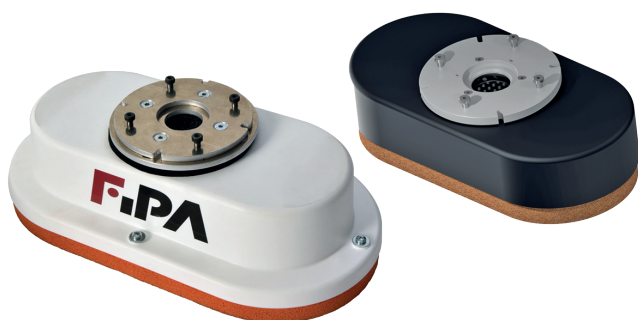
Safety factor by lifting tube \varnothing

Item no.	\varnothing 100 mm	\varnothing 120 mm	\varnothing 160 mm
SH.ACC.PRO.FH-E3020	5.6	3.9	2.2

FIPALIFTpro

Sack foot oval for FIPALIFTpro

Sack foot oval for FIPALIFTpro



Product notes

- > Extra-light suction cup made of plastic with NR foam
- > Well suited for lifting bags but also other goods with uneven surfaces
- > Includes quick-change adapter for FIPALIFTpro for changing the suction cup accessories without tools
- > Includes internal spacer grid to prevent the sack film from being sucked in

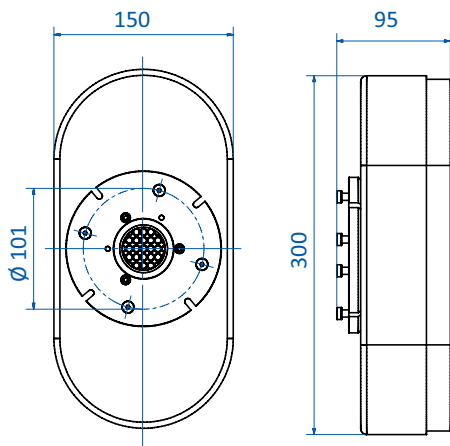
Technical data

Item no.	Suitable for	Production	Weight [kg]	Suitable replacement foam
SH.ACC.PRO.0021	FIPALIFTpro to Ø 120 mm	3D printing	0.9	SH.SPP.PRO.0021
SH.ACC.PRO.0020	FIPALIFTpro to Ø 160 mm	Injection molding	1.64	SH.SPP.ALL.0150

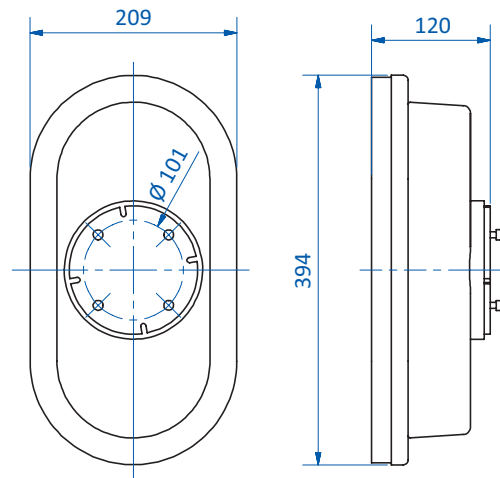
Application example



Dimensions



SH.ACC.PRO.0021



SH.ACC.PRO.0020

FIPALIFTpro

4 Cup Yoke foot rigid crossbars

4 Cup Yoke foot rigid crossbars



Product notes

- > Small frame for use with vacuum cups as accessories for FIPALIFTpro
- > For handling large cartons, boxes and medium-sized flat goods such as metal sheets
- > Incl. quick change adapter

Ordering notes

- > Sufficient safety factor is critical.
- > For horizontal handling a safety factor of at least 2.4 is required. For vertical handling, the safety factor increases to at least 4.0.
- > Model -OS: Vacuum cups are not included. You can choose vacuum cups from FIPA's wide range of products – observe the safety factor!

Technical data

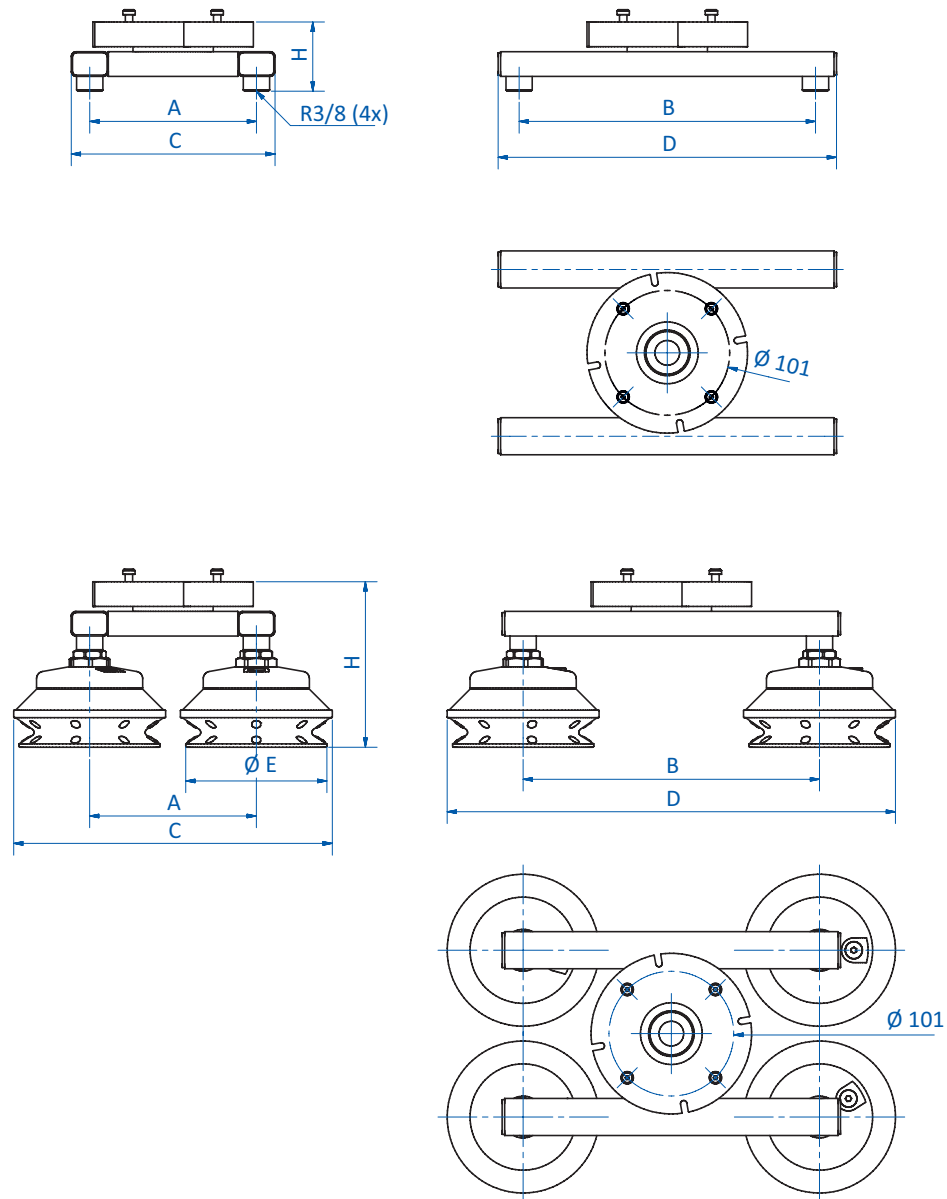
Item no.	with Vacuum cups	Suitable for Lifting tube diameter [mm]	Minimum diameter *) of the vacuum cup [mm] for lifting tube diameter 100 mm	Minimum diameter *) of the vacuum cup [mm] for lifting tube diameter 120 mm
SH.ACC.PRO.0050	4x Varioflex® Bellows vacuum cups Ø 115 mm 22.115.266.16	100; 120	--	--
SH.ACC.PRO.0051	4x Varioflex® Bellows vacuum cups Ø 115 mm 22.115.266.16	100; 120	--	--
SH.ACC.PRO.0052	4x Varioflex® Bellows vacuum cups Ø 160 mm 22.160.264.16	100; 120; 160	--	--
SH.ACC.PRO.0053	4x Varioflex® Bellows vacuum cups Ø 160 mm 22.160.264.16	100; 120; 160	--	--
SH.ACC.PRO.0050-OS	without	--	82	100
SH.ACC.PRO.0051-OS	without	--	82	100
SH.ACC.PRO.0052-OS	without	--	82	100
SH.ACC.PRO.0053-OS	without	--	82	100

*) active suction area, not outer diameter!

Safety factor by lifting tube Ø

Item no.	Ø 100 mm	Ø 120 mm	Ø 160 mm
SH.ACC.PRO.0050	3.3	2.4	--
SH.ACC.PRO.0051	3.3	2.4	--
SH.ACC.PRO.0052	6.25	4.3	2.4
SH.ACC.PRO.0053	6.25	4.3	2.4
SH.ACC.PRO.0050-OS	--	--	--
SH.ACC.PRO.0051-OS	--	--	--
SH.ACC.PRO.0052-OS	--	--	--
SH.ACC.PRO.0053-OS	--	--	--

Dimensions



Item no.	A [mm]	B [mm]	C [mm]	D [mm]	Ø E [mm]	H [mm]
SH.ACC.PRO.0050	180	180	295	295	115	134
SH.ACC.PRO.0051	135	240	250	365	115	134
SH.ACC.PRO.0052	180	240	340	410	160	151
SH.ACC.PRO.0053	210	380	380	450	160	151
SH.ACC.PRO.0050-OS	180	180	200	204	--	56
SH.ACC.PRO.0051-OS	135	240	155	274	--	56
SH.ACC.PRO.0052-OS	180	240	200	274	--	56
SH.ACC.PRO.0053-OS	210	380	240	414	--	56

FIPALIFTpro

Load hook with safety valve for FIPALIFTpro

Load hook with safety valve for FIPALIFTpro



Product notes

- > Hook for mechanically picking up goods that cannot be sucked in, e.g. canisters or buckets.
- > The hook is spring-loaded so that the vacuum circuit is only closed when it is under load. The full lifting function of the FIPALIFT is therefore guaranteed.
- > In the event of a sudden break in the load, this function prevents the tube lifter from jumping up dangerously
- > Integrated quick-change adapter for FIPALIFTpro

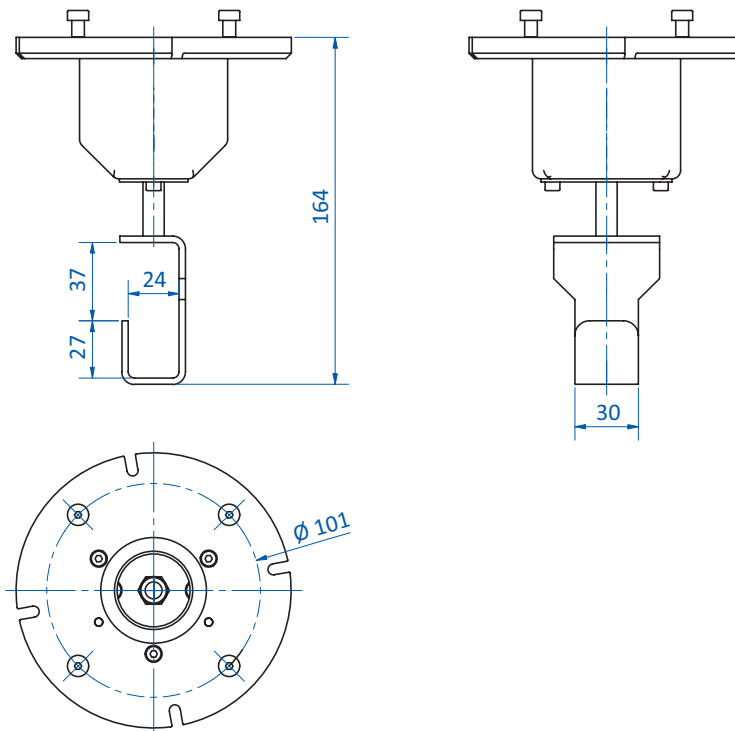
Notes

- > Always ensure that the goods to be lifted are sufficiently stable. Lugs or handles are not always suitable for lifting loads.

Technical data

Item no.	Suitable for Lifting tube diameter [mm]	Weight [kg]
SH.ACC.PRO.0040B	100; 120; 160	0.9

Dimensions



FIPALIFTpro

Double rectangular vacuum cups

Double rectangular vacuum cups



Product notes

- > 500 mm bar with 2 rectangular cups. Cups can be adjusted along the bars length to give flexibility in handling different sized objects.
- > Easy to change gasket made of NR
- > Quick-change adapter for FIPALIFTpro included in delivery
- > Mounted to an articulating joint to compensate for surface unevenness

Ordering notes

- > Sufficient safety factor is critical

Technical data

Item no.	with Vacuum cups	Material	Suitable for Lifting tube diameter [mm]	Weight [kg]	Suitable replacement gasket
SH.ACC.PRO.0030	2x rectangular 85x200 mm	NR black	100; 120	2.6	SH.SPP.PRO.0030
SH.ACC.PRO.0031	2x rectangular 110x300 mm	NR black	100; 120; 160	3.7	SH.SPP.PRO.0031

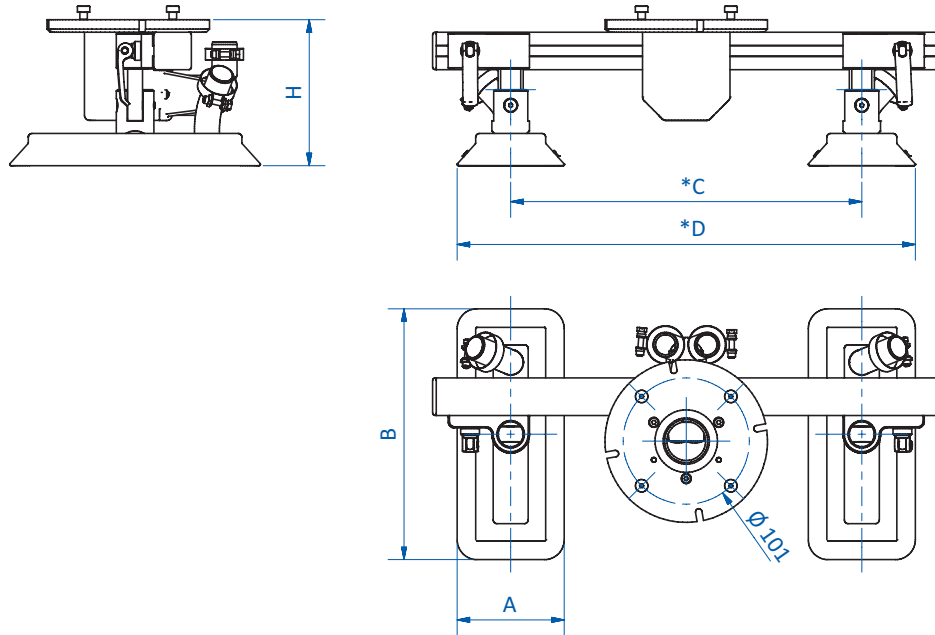
Safety factor by lifting tube \varnothing

Item no.	\varnothing 100 mm	\varnothing 120 mm	\varnothing 160 mm
SH.ACC.PRO.0030	4.3	3	--
SH.ACC.PRO.0031	8.4	5.8	3.2

Application example



Dimensions



* = infinitely adjustable

Item no.	A [mm]	B [mm]	C [mm]	D [mm]	H [mm]
SH.ACC.PRO.0030	85	200	100 - 285	180 - 360	115
SH.ACC.PRO.0031	110	300	125 - 285	240 - 400	120

Vacuum hoses



Product notes

- > Flexible hoses for connecting the vacuum generator and the FIPALIFT
- > Well-suited to installation in cable carriages with strips
- > Order in meter lengths

Notes

Calculation of the required length = [(length of crane track + length of crane bridge) x 1.25] + distance to vacuum pump

Ordering notes

- > Model FIPALIFTpro with rotary vane pump use the vacuum hose with diam. 25 mm
- > Model FIPALIFTpro with side channel compressor use the vacuum hose with diam. 50 mm
- > Model FIPALIFTmax always use the vacuum hose with diam. 50 mm

Technical data

Item no.	Suitable for	Outer diameter [mm]	Inner diameter [mm]	Material	Colour	Bend radius [mm]	Usage temperature [°C (°F)]	Weight [kg/m]
SH.ACC.ALL.0020	FIPALIFTpro	31	25	cold flexible soft PVC with hard PVC helix	light gray	32.5	-25 - 60 (-13 - 140)	0.23
SH.ACC.ALL.0022	FIPALIFTmax and FIPALIFTpro	58	50	cold flexible soft PVC with hard PVC helix	light gray	60	-25 - 60 (-13 - 140)	0.62

FIPALIFT

Radio remote control ON/OFF for vacuum pumps

Radio remote control ON/OFF for vacuum pumps



Product notes

- > For switching the vacuum pumps on and off from a remote location
- > To avoid unnecessary pump running time and thus helpful to minimize energy costs, pump wear and the noise pollution.
- > Consists of transmitter and receiver
- > The transmitter can be easily clipped to the tube lifter FIPALIFTpro or FIPALIFTmax

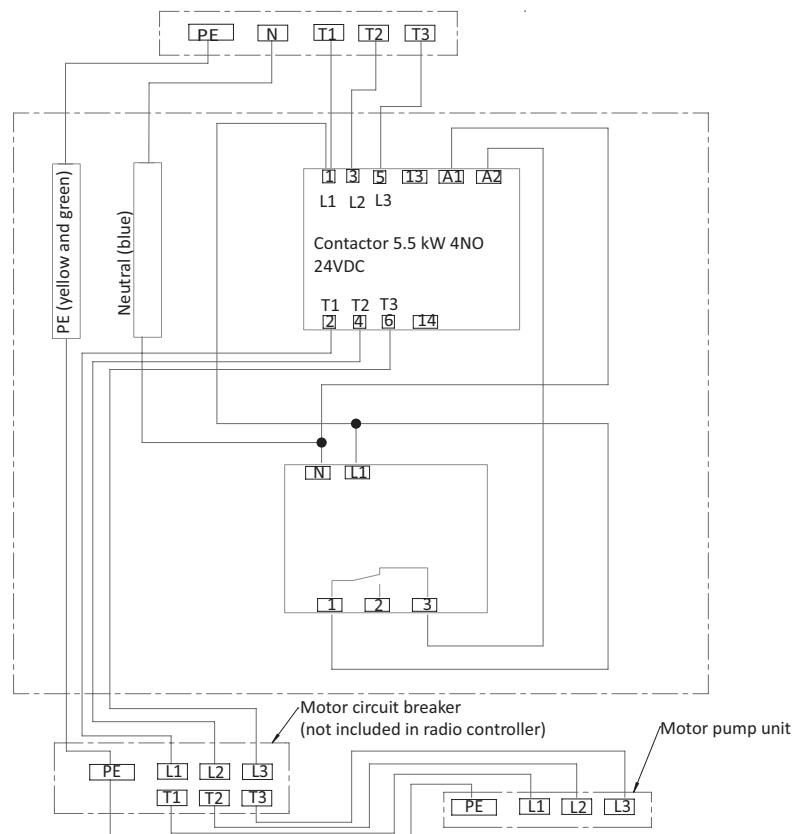
Ordering notes

- > To be used only in conjunction with the pumps offered by FIPA. Electrical suitability in other applications cannot be guaranteed.
- > 2x 1.5V AAA/LR03 alkaline batteries are included in the scope of delivery

Technical data

Item no.	Frequency band [MHz]	IP-Code	Max. Through voltage [V]	Radio communication	Operating temperature [°C (°F)]
SH.ACC.ALL.0200	2,405 - 2,480	65	480	Simplex	-20 - 55 (-4 - 131)

Wiring diagram



Motor protection switch



Product notes

- > Motor protection switch with 3 m cable and with pole-reversible 16A CEE plug, undervoltage release and lockable operating elements.
- > The restart interlock prevents uncontrolled lifting/starting of the uncontrolled lifting / starting of the tube lifter after a power failure.
- > The lockable controls allow the hose lifter to be locked out during of the tube lifter during operation or maintenance work against unauthorised or erroneous operation.
- > The motor protection switches with cable and plug are ideally suited for connecting vacuum pumps or side channel blowers to the mains.
- > Please note how the motor is/was connected when selecting the motor protection switch.

Ordering notes

- > The electrical connection of the motor protection switch to the vacuum pump or the side channel blower is not included in the scope of delivery. Please contact your local electrician separately.

Technical data

Item no.	for rated current [A]	Suitable for
SH.ACC.ALL.0210	2.5 - 4	VPT.40A-3-EU; VPT.40A-3-EU-SH; SKV.D.91-1.5-C-3
SH.ACC.ALL.0211	4 - 6.3	VPT.40A-3-EU; VPT.40A-3-EU-SH; VPT.60A-3-EU; SKV.D.91-1.5-C-3; S KV.D.117-2.2-C-3
SH.ACC.ALL.0212	6.3 - 10	VPT.60A-3-EU; SKV.D.117-2.2-C-3; SKV.D.181-4.0-C-3; SKV.D.236-5.5-C-3
SH.ACC.ALL.0213	10 - 16	SKV.D.181-4.0-C-3; SKV.D.236-5.5-C-3