

Grippers | Parallel grippers

Holder for parallel gripper series 126

Holder for parallel gripper series 126



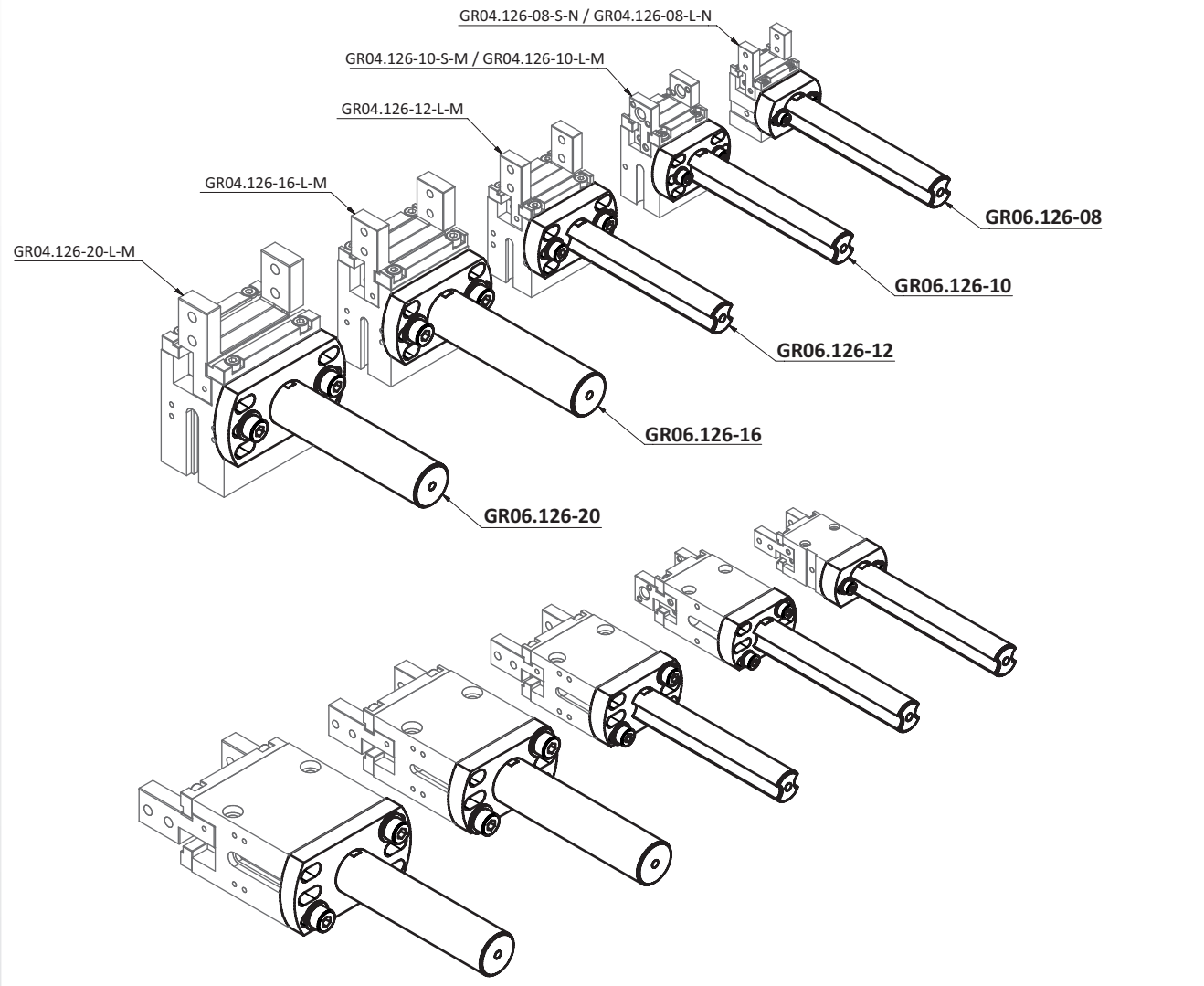
Product notes

- > Product for mounting series 126 parallel grippers
- > Fastening of the parallel gripper possible in different orientations
- > Shaft diameter suitable for various clamping elements
- > Screws for parallel gripper fastening included in the scope of delivery

Technical data

Item no.	Suitable for parallel grippers	Weight [g]
GR06.126-08	GR04.126-08	15
GR06.126-10	GR04.126-10	17
GR06.126-12	GR04.126-12	19
GR06.126-16	GR04.126-16	41
GR06.126-20	GR04.126-20	46

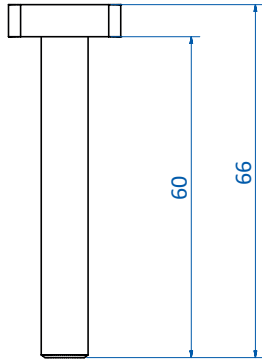
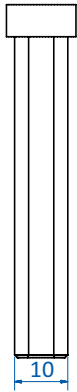
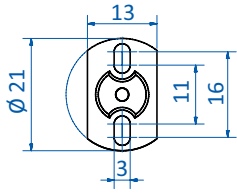
Application examples



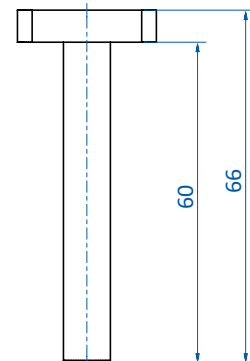
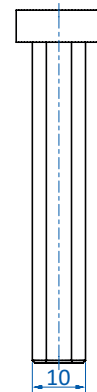
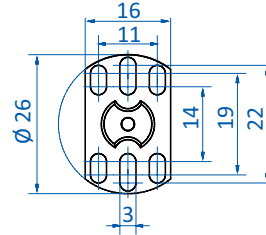
Grippers | Parallel grippers

Holder for parallel gripper series 126

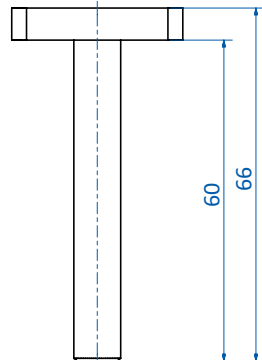
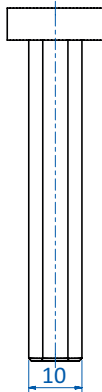
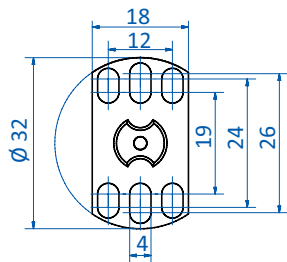
Dimensions



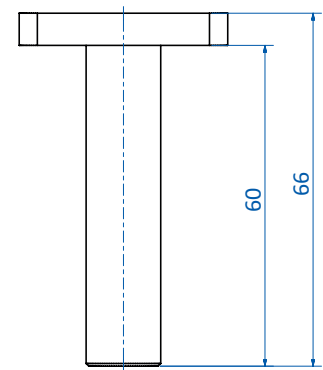
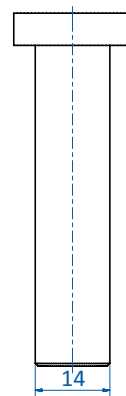
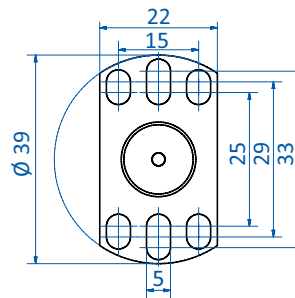
GR06.126-08



GR06.126-10

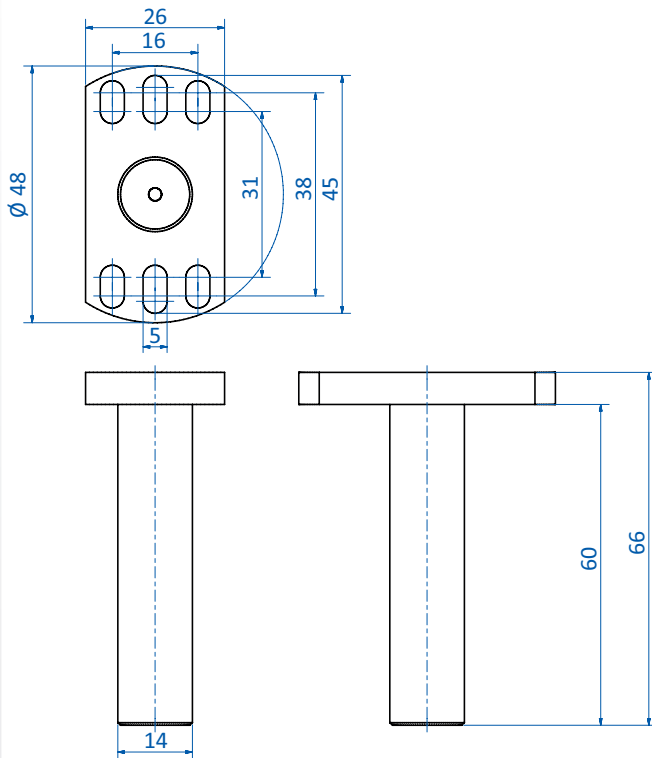


GR06.126-12



GR06.126-16

Dimensions



GR06.126-20