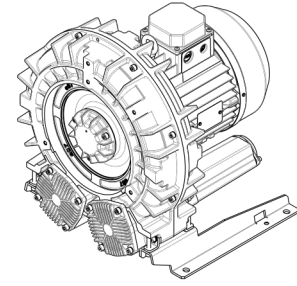




Technical Characteristics	
<ul style="list-style-type: none"> Aluminum alloy construction Smooth operation Maintenance free 	
Electric Motor	
<ul style="list-style-type: none"> IE3 Wide Range cURus Motors IP55 protection rating, class F insulation, suitable for operating with inverter Thermal Protector (PTO) as standard 	
Options	
<ul style="list-style-type: none"> Special voltages (IEC 60038) Surface treatments Increased seal version 	

~3	[V] (Y / Δ)		[Hz]
	≤ 4 kW	> 4 kW	
IE3	400 / 230	690 / 400	50
	460 / 265	795 / 460	60
Wide Range	345 - 415 / 200 - 240	600 - 720 / 345 - 415	50
	380 - 480 / 220 - 280	660 - 830 / 380 - 480	60

Supply voltage - Tolerance on the fixed voltage value ± 10%, in range ± 5%.

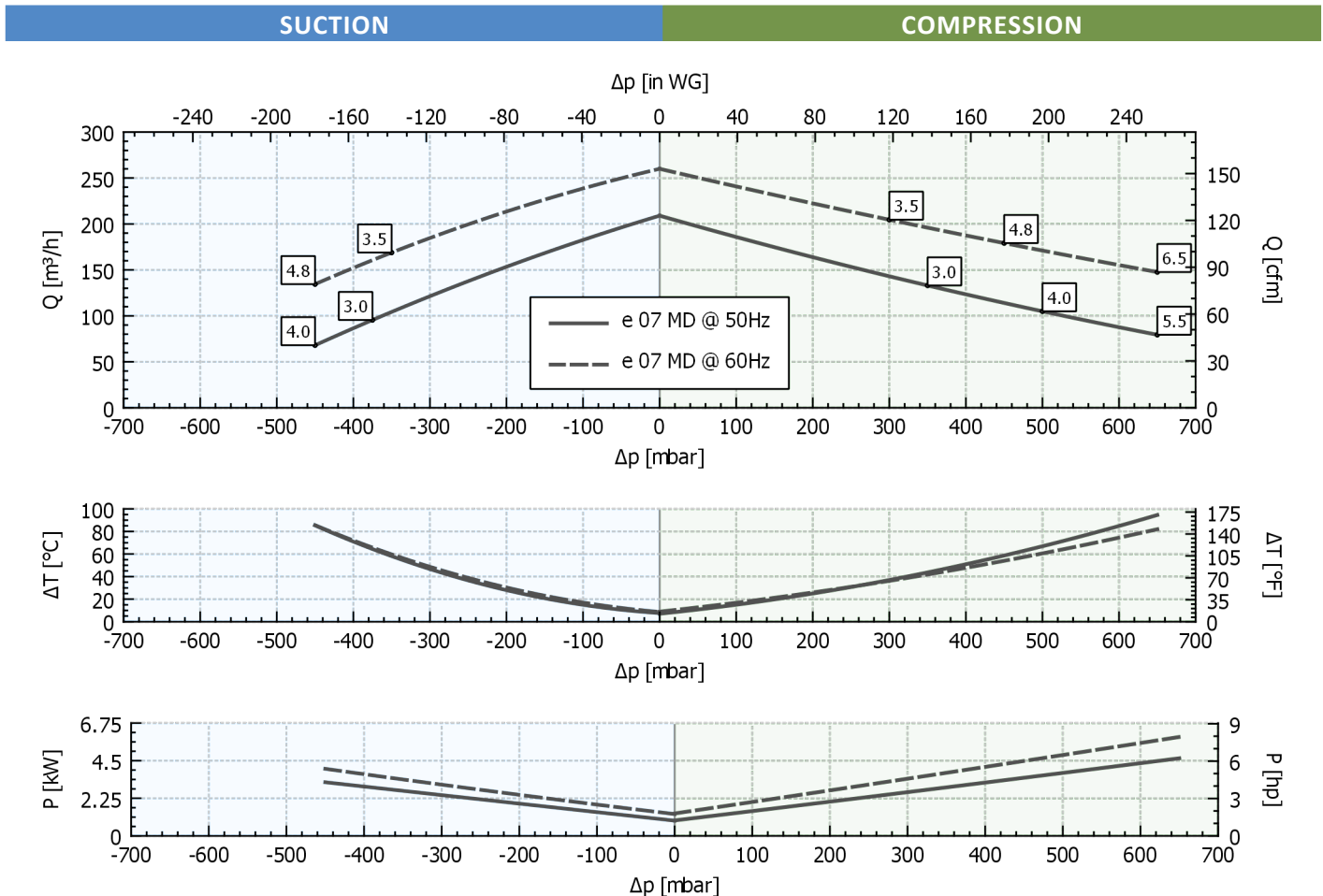


evolution

Performance Table

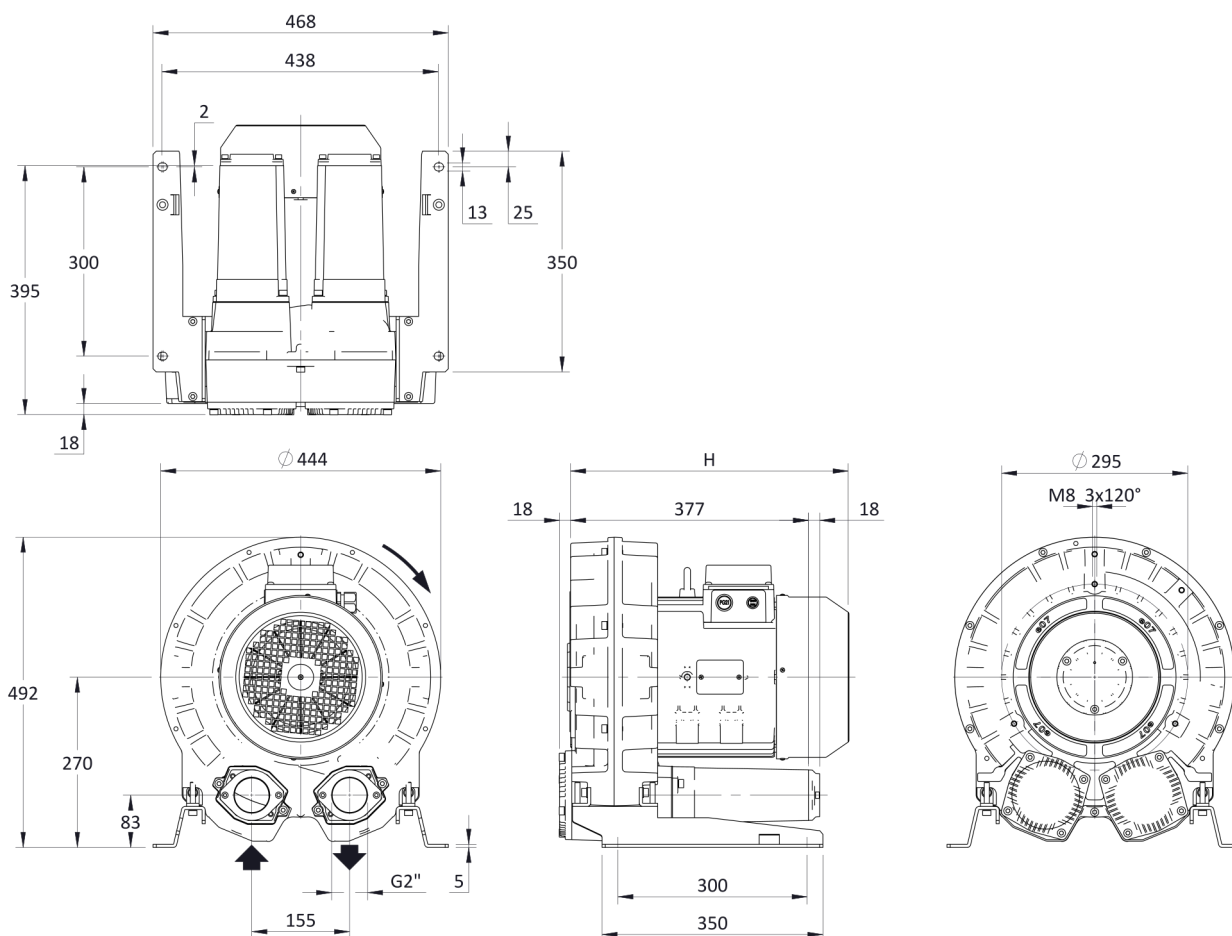
P _n [kW]	Frequency [Hz]	Δp _{max} [mbar]		Q _{max} [m³/h]	Leq ¹ [dB(A)]	Weight [kg]	H ² [mm]	Current Consumption (Y/Δ) [A]		Cosφ [-]	Speed [rpm]
		Suction	Compression					IE3	Range		
3	50	375	350	209	72	57	400	6.25 / 10.8	6.66-6.43 / 11.5-11.1	0.80	2930
3.5	60	350	300	260	77	57	400	6.20 / 10.7	7.05-6.19 / 12.2-10.7	0.82	3525
4	50	450	500	209	72	59	415	7.93 / 13.7	8.55-8.06 / 14.8-14.0	0.82	2910
4.8	60	450	450	260	77	59	415	7.94 / 13.8	9.31-7.93 / 16.1-13.7	0.85	3500
5.5	50	-	650	209	72	70	445	6.41 / 11.1	6.70-6.64 / 11.6-11.5	0.80	2940
6.5	60	-	650	260	77	70	445	6.35 / 11.0	7.10-6.41 / 12.3-11.1	0.83	3530

1. Noise level measured at a distance of 1 m with ducted intake and delivery, in accordance with Standard ISO 3744.
2. See figure "dimensions" at following page.



Tolerance on indicated values ± 10%.
Data subject to change without notice.
Curves referring to air at a temperature of 20 °C and atmospheric pressure of 1013 mbar (abs).

Dimensions



Dimensions in mm
NOT Binding

INSTALLATION

- For proper operation of the machine, it must be provided with a suction FILTER and a vacuum/pressure limiting VALVE.
- Other accessories are available on request.
- Permissible ambient and fluid temperature in suction from -15 °C to +40 °C.
- Read the instruction manual carefully before installing the machine.