



System monitoring | Vacuum switches

Electronic vacuum switch – inline

Electronic vacuum switch – inline



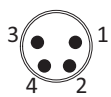
Product notes

- > For monitoring vacuum lines and circuits
- > Optimisation of cycle times and thus improvement of the economic efficiency of vacuum systems
- > Simple installation directly in the hose line
- > Compact, lightweight and robust design
- > One digital switching point and simple 2 LED display

Technical data

Item no.	GS02.006	GS02.008	GS02.010
Measuring range [bar (inHg)]	-1 - 0 (-29.5 - 0)	-1 - 0 (-29.5 - 0)	-1 - 0 (-29.5 - 0)
Electric connection	Plug connector M8x1, 4-pin	Plug connector M8x1, 4-pin	Plug connector M8x1, 4-pin
Pipe connection [mm]	6	8	10
Mounting position	any	any	any
Operating voltage [VDC]	9 - 30	9 - 30	9 - 30
Own power consumption	< 25 mA	< 25 mA	< 25 mA
Short-circuit protection	yes	yes	yes
Reverse polarity protection	yes	yes	yes
Switching output	1x PNP	1x PNP	1x PNP
Switching logic	NO (NC on request)	NO (NC on request)	NO (NC on request)
Hysteresis	ca. 5 % F.S.	ca. 5 % F.S.	ca. 5 % F.S.
Max. Output current	max. 100 mA	max. 100 mA	max. 100 mA
Voltage at the output	ca. Ub -1,5 V	ca. Ub -1,5 V	ca. Ub -1,5 V
Repeat accuracy	± 3% F.S.	± 3% F.S.	± 3% F.S.
Operating temperature [°C (°F)]	-10 - 60 (14 - 140)	-10 - 60 (14 - 140)	-10 - 60 (14 - 140)
Medium	Filtered, dry / lubricated compressed air, neutral gases	Filtered, dry / lubricated compressed air, neutral gases	Filtered, dry / lubricated compressed air, neutral gases
Protection class	IP40	IP40	IP40
Storage temperature [°C (°F)]	-20 - 85 (-4 - 185)	-20 - 85 (-4 - 185)	-20 - 85 (-4 - 185)
Weight [g]	20	30	30
Suitable connecting cable	20.501 20.502	20.501 20.502	20.501 20.502

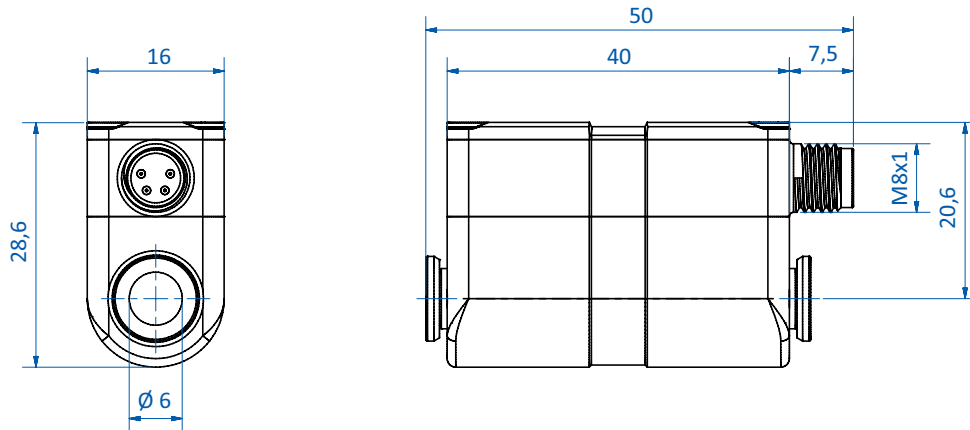
Pin assignment



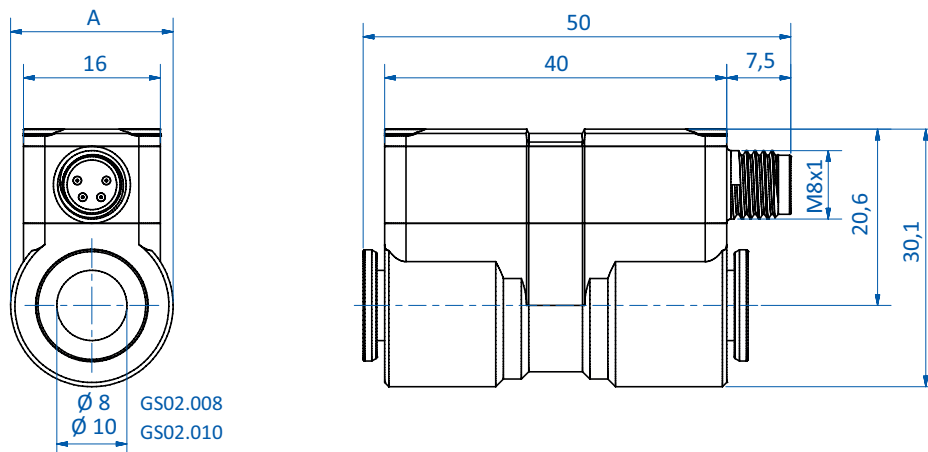
- Pin 1 = Ub+
- Pin 2 = not used
- Pin 3 = 0 V
- Pin 4 = Out 1



Dimensions



GS02.006



GS02.008 | GS02.010