

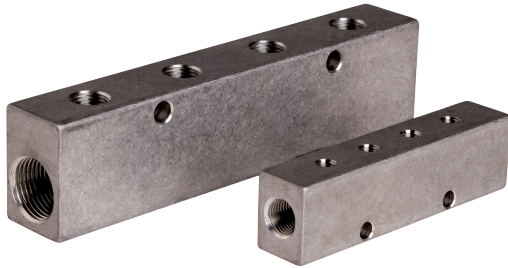


# Connectors | Vacuum manifolds

Manifolds for simple assembly of vacuum loads

## Manifolds for simple assembly of vacuum loads

Outputs on one side, at the front



### Product notes

- > Construction of vacuum systems by means of simple installation of push-in fittings or quick fittings
- > Material: aluminum

### Technical data

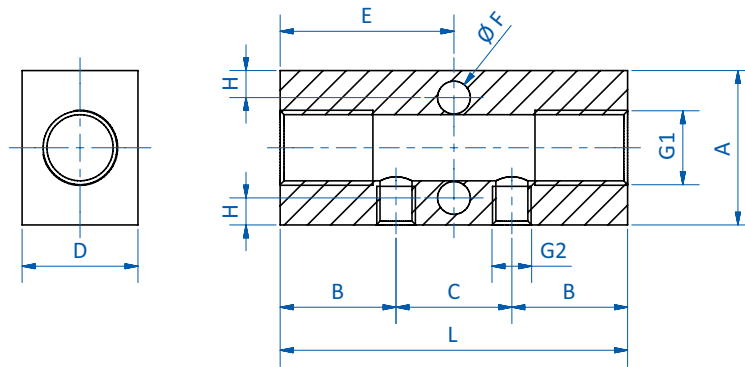
Item no.	Input connection	Output connection	Suitable sealing plugs
79.000	2x G1/8	2x M5	77.000, 77.009
79.001	2x G1/8	4x M5	77.000, 77.009
79.002	2x G1/8	6x M5	77.000, 77.009
79.003	2x G1/4	2x G1/8	77.008, 77.009
79.004	2x G1/4	4x G1/8	77.008, 77.009
79.005	2x G1/4	6x G1/8	77.008, 77.009
79.006	2x G3/8	2x G1/4	77.008, 77.010
79.007	2x G3/8	4x G1/4	77.008, 77.010
79.008	2x G3/8	6x G1/4	77.008, 77.010
79.009	2x G3/8	2x G1/8	77.009, 77.010
79.010	2x G3/8	4x G1/8	77.009, 77.010
79.011	2x G3/8	6x G1/8	77.009, 77.010
79.012	2x G1/2	2x G1/4	77.007, 77.008
79.013	2x G1/2	4x G1/4	77.007, 77.008
79.014	2x G1/2	6x G1/4	77.007, 77.008

### Dimensions

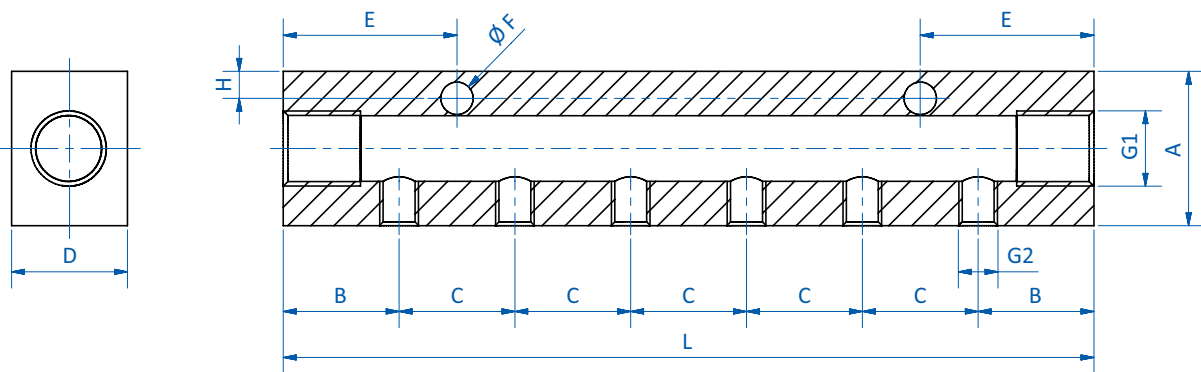
A [mm]	B [mm]	D [mm]	C [mm]	E [mm]	Ø F [mm]	G1	G2	H [mm]	L [mm]
20	15	15	15	22.5	4.2	G1/8	M5	3.5	45
20	15	15	15	22.5	4.2	G1/8	M5	3.5	75
20	15	15	15	22.5	4.2	G1/8	M5	3.5	105
30	15	20	30	30	5.2	G1/4	G1/8	4.5	60
30	15	20	30	30	5.2	G1/4	G1/8	4.5	120
30	15	20	30	30	5.2	G1/4	G1/8	4.5	180
40	18	20	36	36	6.5	G3/8	G1/4	6	72
30	18	20	36	36	6.5	G3/8	G1/4	24	144
30	18	20	36	36	6.5	G3/8	G1/4	24	216
40	18	20	30	33	5.2	G3/8	G1/8	4.5	66
30	18	20	30	33	5.2	G3/8	G1/8	25.5	126
30	18	20	30	33	5.2	G3/8	G1/8	25.5	186
40	22	28	36	40	6.5	G1/2	G1/4	5.8	80
40	22	28	36	40	6.5	G1/2	G1/4	34.2	152
40	22	28	36	40	6.5	G1/2	G1/4	34.2	224



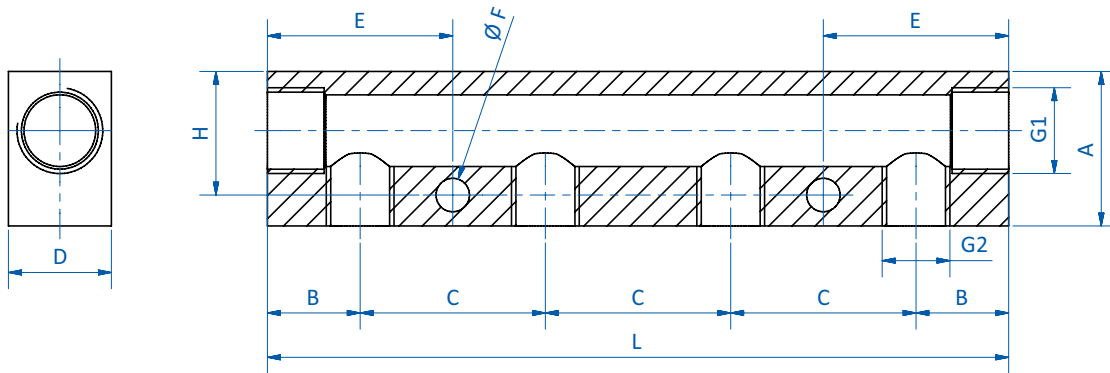
Dimensions



79.000 | 79.003 | 79.006 | 79.009 | 79.012



79.001 | 79.002 | 79.004 | 79.005



79.007 | 79.008 | 79.010 | 79.011 | 79.013 | 79.014